

HD Megapixel Q5-S Extreme Series

Model: **iV-CA8BWK-Q5-S**



iV-Pro Model: iV-CA8BWK-Q5-S is a Outdoor 5 Megapixel 1980p Full HD Security Camera with the next generation Sony IMX 335-ZR HD image processing solution with optimized performance in day and night. This Series includes a wide range of high performance sensors that are built to deliver exceptional video images with true vivid colors and wide and clearer night vision, thanks to the new Array IR technology that promises better results and a longer life span over any 3+1 or a Coaxial cable including long distance transmission up to 500 meters using RG-59 cables. Intelligent Ai features and Human Mobile Alerts with iV-Pro Video Recorders.

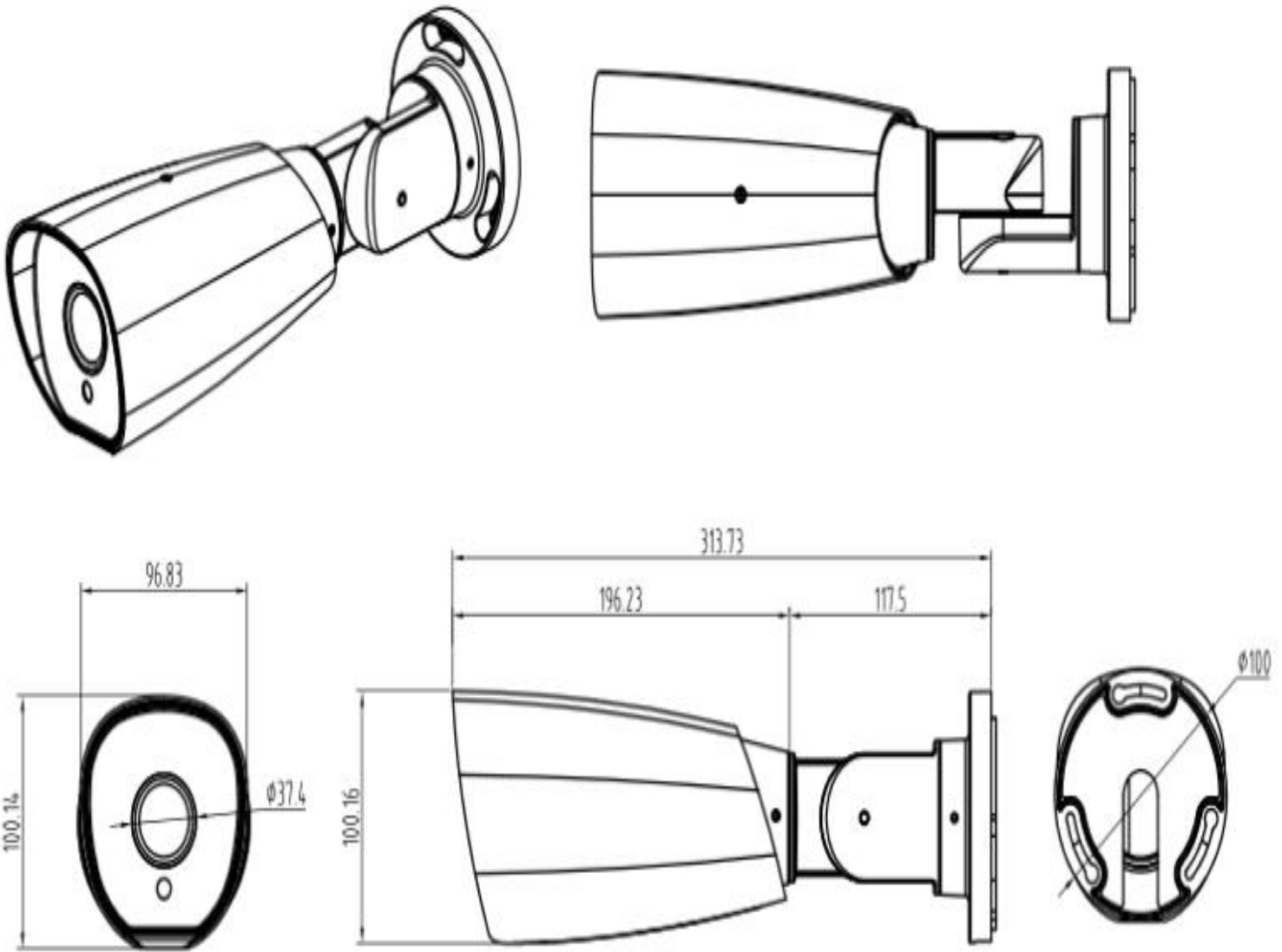
Features

- 5 Megapixel 1980p Full HD Resolution with Array IR up to 80 Meters
- Excellent low-light performance with the new 2D/3D noise reduction
- Flexible choice of 5MP CS Ultra lens from 8mm and 12mm
- Smart 8 HP Array IR technology provides even distribution of IR light
- Plug and Play Compatible with iV-Pro's range of TVR, QVR and XVR
- Supports OSD Function with XVI technology for clarity enhancement
- Supports multiple formats like AHD, TVi, CVi, XVi and CVBS
- Outdoor multi-axis ceiling or wall mountable with 12V DC and BNC
- Exclusive new designed IP67 weather and water proof metal casing

Technical Specifications:

Model	iV-CA8BWK-Q5-S
Image Sensor	5MP 1/2.8" Sony IMX 335-ZR low illumination CMOS sensor, color 0.01Lux@F1.2, black/white 0.001Lux@F1.2
Resolution	2560*1980 , 5 Megapixels
BNC Interface	1*BNC, 1*DC Input 12V
Reliability	7 * 24 hours 65 °C high temperature stable and reliable testing (including mounted machine testing)
Video Compression & Frame Rate	H.265 and H.265+ Supports dual stream with iV-Pro Recorders 2560*1980(15fps),1280*720(25fps);sub-stream: 704*576(25fps)
On Screen Display	Digital OSD support for AHD, TVi, CVi, CVBS. Default is set : AHD
Lens Type	5MP 12mm CS Fuji FX Proline Glass Lens
Array or SMT LEDs	8 HP Array IR Led with IR-Cut
Array or SMT illumination Distance	80 Meters
White Balance	Auto / Day / Night / Customized
Back Light Compensation	BLC / WDR 120db (with OSD)
Exposure Mode	Manual / Low noise / Low motion blur / Auto Ranges from 1/3 to 1/10000
Snapshot	Supported with iV-Pro Recorders and APP
Video Setup & Information	Supports parameter setup such as brightness and contrast, Channel title; Time title; Motion detection; Privacy mask
Motion Detection	Sensitivity level ranges from 0 to 100; Activation event: Video storage; Image snapshot; Log; Email function
Security	Multiple User Access levels with password protection
Automatic Electronic Shutter	Auto / Manual (1/3~1/10000 s)
Web Browser	Microsoft® Internet Explorer® 6.0 or later; Mozilla Firefox®; Google Chrome™ with Video Recorder attached
Supported Protocols	IPv4/IPv6, HTTP, HTTPS, SSL, TCP/IP, UDP, UPnP, ICMP, IGMP, SNMP, RTSP, RTP, SMTP, NTP, DHCP, DNS, PPPOE, DDNS, FTP
Smart Phone & Tablet Compatibility	IOS; Android™
Standards	CE, FCC
Day / Night	Auto (ICR) / Color / B&W
Automatic Gain Control	Auto / Manual
Power Consumption	DC12V/2A input, power consumption: 14 Watts (Max)
Operational Temperature & Rating	-4°F to +140°C (-20°C to +60°C), IP67 Casing
Weight & Construction	0.95 kg, Housing: Metal Heavy Casing Molded Color: Black and White

Dimensions & Connection Diagram:



✉ info@ivpro.in 🌐 www.ivpro.in

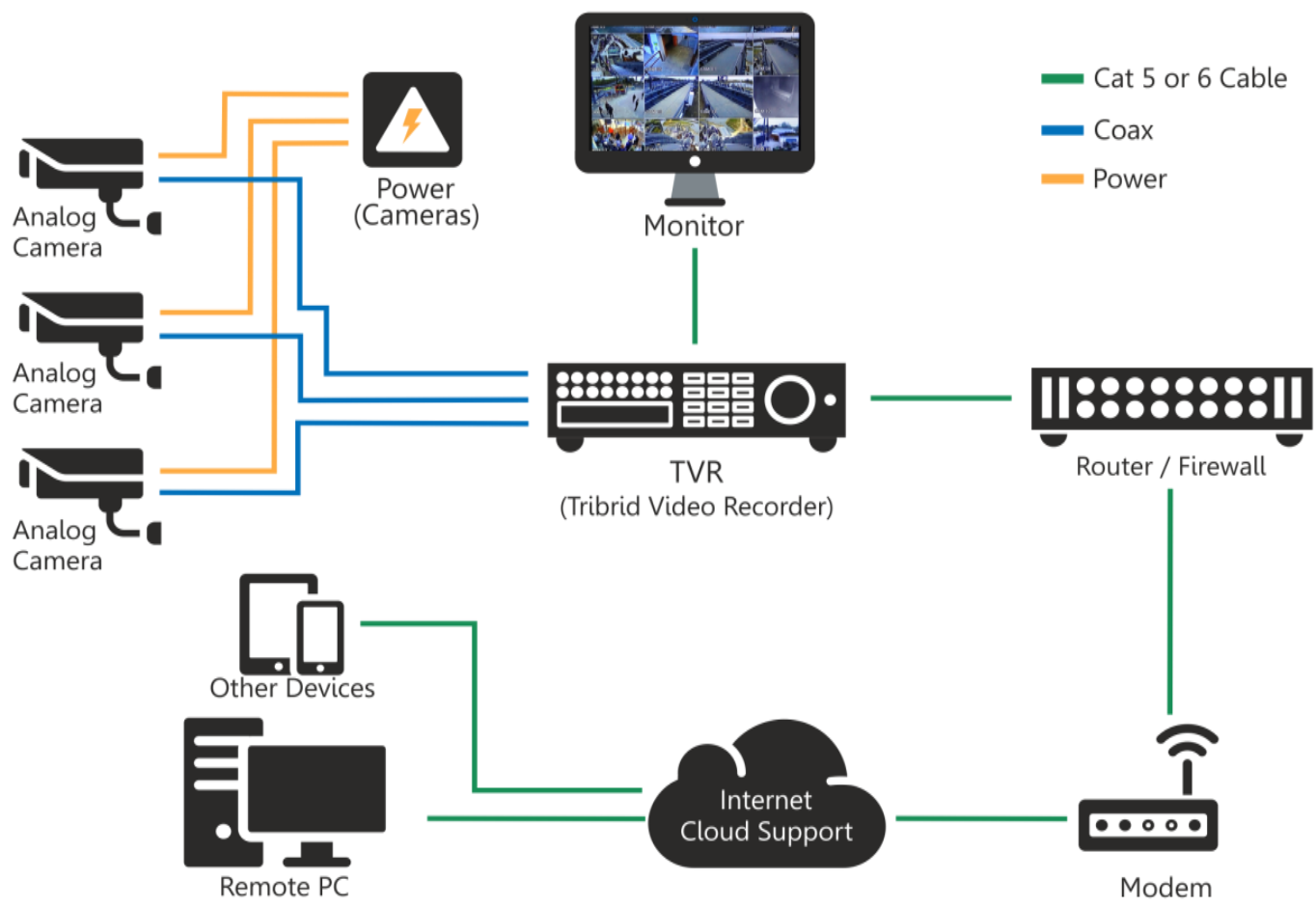


scan this QR Code

 **Customer Care**
care@ivpro.in



Specifications are subject to change without notice.
iV-Pro is a trademark of iView Technologies Co, India & Hongkong.
Copyright 2017 iView Technologies Co. All rights reserved.



✉ info@ivpro.in 🌐 www.ivpro.in



scan this QR Code

 **Customer Care**
 care@ivpro.in



RoHS

Specifications are subject to change without notice.
 iV-Pro is a trademark of iView Technologies Co, India & Hongkong.
 Copyright 2017 iView Technologies Co. All rights reserved.