

HD Megapixel Q3 Series

Model: **iV-DA1W-Q3**



iV-Pro Model: iV-DA1W-Q3 is a Indoor 2.2 Megapixel 1080p Full HD Security Camera with the next generation Sony IMX 307 HD image processing solution with optimized performance in day and night. This Series includes a wide range of high performance sensors that are built to deliver exceptional video images with true vivid colors and wide and clearer night vision, thanks to the new Array IR technology that promises better results and a longer life span over any 3+1 or a Coaxial cable including long distance transmission up to 500 meters using RG-59 cables. Intelligent Ai features and Human Mobile Alerts with iV-Pro Video Recorders.

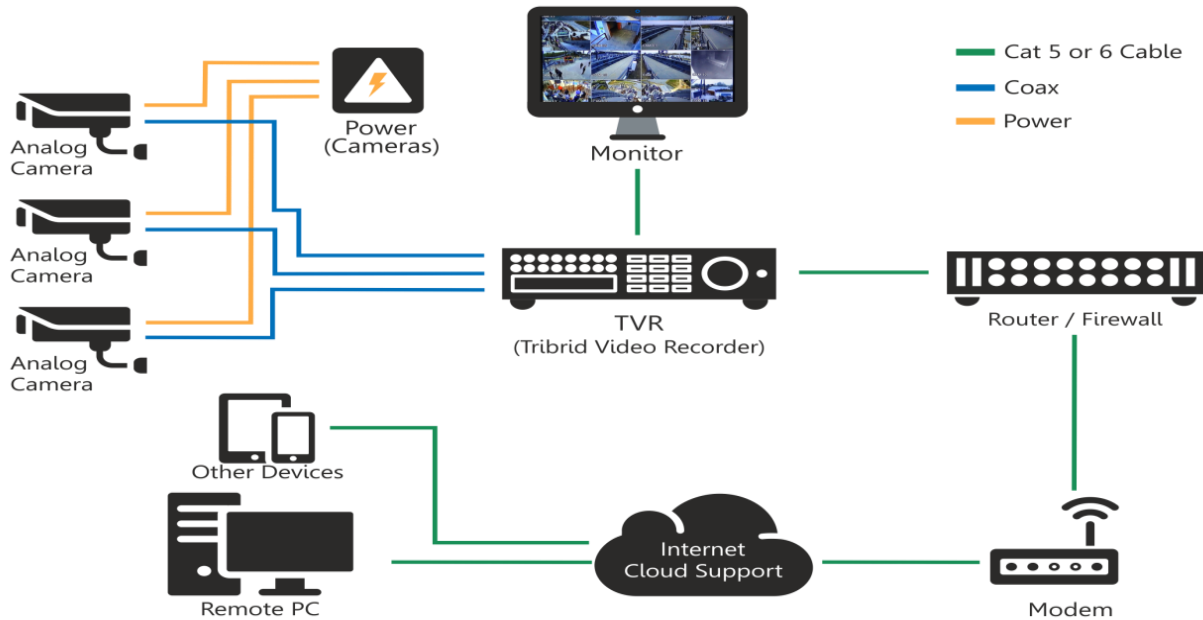
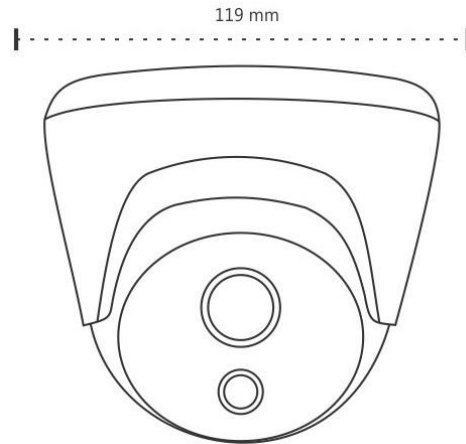
Features

- 2.2 Megapixel 1080p Full HD Resolution with Array IR up to 20 Meters
- Excellent low-light performance with the new 2D/3D noise reduction
- Flexible choice of 3MP M12 lens from 3.6mm, 4.0mm and 6.0mm
- Smart Array IR technology provides even distribution of IR light
- Plug and Play Compatible with iV-Pro's range of TVR, QVR and XVR
- Supports OSD Function with XVi technology for clarity enhancement
- Supports multiple formats like AHD, TVi, CVi, XVi and CVBS
- Indoor multi-axis ceiling or wall mountable with 12V DC and BNC
- Compact High quality structure design for Indoor use only

Technical Specifications:

| Model | iV-DA1W-Q3 |
|------------------------------------|---|
| Image Sensor | 2.2MP 1/2.9" Sony IMX 307 low illumination CMOS sensor, color 0.01Lux@F1.2, black/white 0.001Lux@F1.2 |
| Resolution | 1280*1080 , 2.2 Megapixels |
| BNC Interface | 1*BNC, 1*DC Input 12V |
| Reliability | 7 * 24 hours 65 °C high temperature stable and reliable testing (including mounted machine testing) |
| Video Compression & Frame Rate | H.265 and H.265+ Supports dual stream with iV-Pro Recorders 1280*1080(25fps),1280*720(25fps);sub-stream: 704*576(25fps) |
| On Screen Display | Digital OSD support for AHD, TVi, CVi, CVBS. Default is set : AHD |
| Lens Type | 3MP 3.6mm M12 Fuji FX Proline Glass Lens |
| Array or SMT LEDs | 1 Array IR Led with IR-Cut |
| Array or SMT illumination Distance | 20 Meters |
| White Balance | Auto / Day / Night / Customized |
| Back Light Compensation | BLC / WDR 120db (with OSD) |
| Exposure Mode | Manual / Low noise / Low motion blur / Auto Ranges from 1/3 to 1/10000 |
| Snapshot | Supported with iV-Pro Recorders and APP |
| Video Setup & Information | Supports parameter setup such as brightness and contrast, Channel title; Time title; Motion detection; Privacy mask |
| Motion Detection | Sensitivity level ranges from 0 to 100; Activation event: Video storage; Image snapshot; Log; Email function |
| Security | Multiple User Access levels with password protection |
| Automatic Electronic Shutter | Auto / Manual (1/3~1/10000 s) |
| Web Browser | Microsoft® Internet Explorer® 6.0 or later; Mozilla Firefox®; Google Chrome™ with Video Recorder attached |
| Supported Protocols | IPv4/IPv6, HTTP, HTTPS, SSL, TCP/IP, UDP, UPnP, ICMP, IGMP, SNMP, RTSP, RTP, SMTP, NTP, DHCP, DNS, PPPOE, DDNS, FTP |
| Smart Phone & Tablet Compatibility | IOS; Android™ |
| Standards | CE, FCC |
| Day / Night | Auto (ICR) / Color / B&W |
| Automatic Gain Control | Auto / Manual |
| Power Consumption | DC12V/2A input, power consumption: 10 Watts (Max) |
| Operational Temperature & Rating | -4°F to +140°C (-20°C to +60°C), IP65 Casing |
| Weight & Construction | 0.48 kg, Housing: Plastic Heavy Casing Molded Color: White |

Dimensions & Connection Diagram:



✉ info@ivpro.in 🌐 www.ivpro.in



scan this QR Code

 **Customer Care**
care@ivpro.in



RoHS

Specifications are subject to change without notice.
iV-Pro is a trademark of iView Technologies Co, India & Hongkong.
Copyright 2017 iView Technologies Co. All rights reserved.