

# Network Video Recorder

Model: **iV-N1602H-K**



The iV-Pro® iV-N1602H-K is a 16 Channel Pure 4K 8MP Ultra HD Network Video Recorder for medium to high scale projects to deliver high resolution up to 8MP HD recording videos that supports from 2MP to 8MP 4K Cameras. The new H.265++ Video Compression keeps the file size further more compressed with more storage and better clarity

It supports Gigabyte 100/1000 Ethernet connection for a smooth video playback. Face and Human Detection features with accurate mobile alerts are included. Its Connectivity includes 4K HD HDMI Output, VGA, Cloud Technology, Wi-Fi & 4G and many more features, along with software support for Computers and Mobile Apps.

## Features

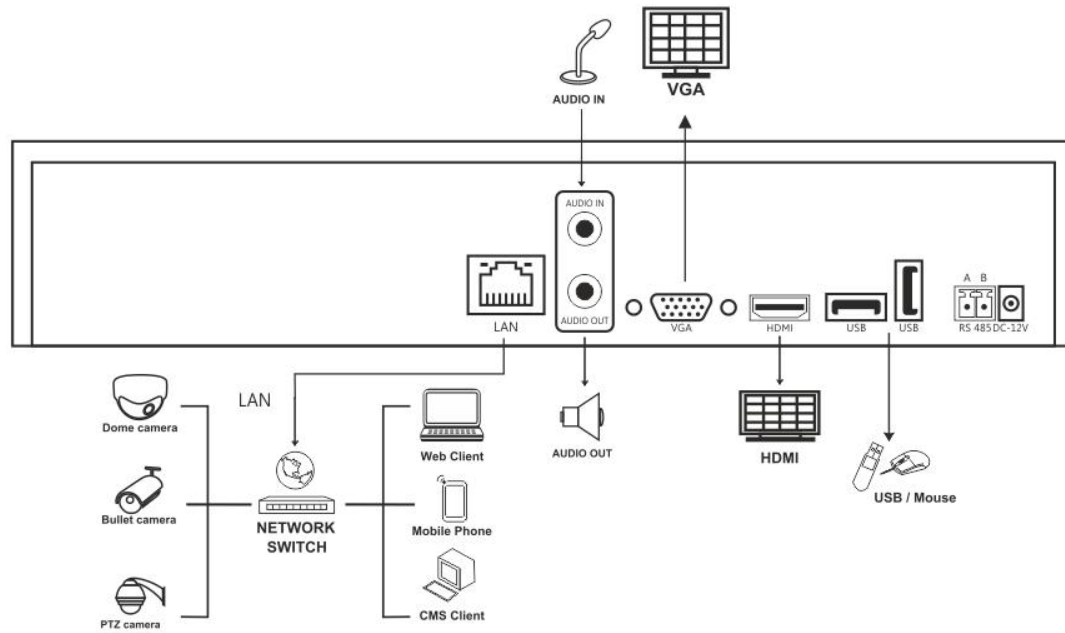
- 16 Channel iP-HD 4K 8MP dedicated Ultra HD Network Video Recorder
- Supports multiple channel mode choices, with up to 8MP iP-HD
- Advanced H.265 & H.265++ technology for maximum recording time
- Graphical User Interface function operated from mouse or remotely
- Supports 2 Sata Drives of 8TB each with total capacity up to 16TB
- Instant backup on pen drives and external storage drives
- Easy access from computers and mobile phones with 4G and Wi-Fi
- New Intelligent Ai features: Face and Human Detection with Mobile Notification

## Technical Specifications:



Model	iV-N1602H-K
MAIN PROCESSOR	Quad-core embedded processor
OPERATING SYSTEM	Embedded LINUX
IP VIDEO INPUT	16*8MP 4K
AUDIO INPUT/OUTPUT	16 Digital Channel Input/1 Channel Output, RCA
INTERFACE	4K HDMI; 1 VGA
RESOLUTION	8MP; 5MP; 4MP; 3MP; 2MP; 1MP
DISPLAY SPLIT	1/4/8/16
OSD	Camera title; Time; Video loss; Camera lock; Motion detection; Recording
COMPRESSION	H.265+/H.264/MJPEG/MPEG4
RECORDING RESOLUTION	8MP (3840 X 2160); 5 MP(2560 × 1920); 4MP(2560 × 1440); 3MP(2048 × 1520); 1080p (1920 × 1080); 720p (1280 × 720); D1(704 × 576); (704 × 480); CIF (352 × 288)
FRAME RATE	1–25/30 fps
VIDEO BIT RATE	16 kbps ~ 20 Mbps, per channel
RECORDING MODE	Schedule (Regular/Continuous, Motion Detection, Alarm); Manual; Stop
BANDWIDTH	80 Mbps
INTELLIGENT AI	Face & Human Detection with alarm perimeters
ALARM INPUT	None
SYNC PLAYBACK	4K - 1; 5MP - 2; 4MP - 3; 3MP - 4; 2MP - 6
SEARCH MODE	Search by Time/calendar/event/channel
PLAYBACK FUNCTION	Play; Pause; Stop; Rewind; Fast play; Slow play; Next File; Previous File; Next Camera; Previous Camera; Full Screen; Repeat; Shuffle; Backup selection; Digital Zoom
BACKUP MODE	USB Device; Network
ETHERNET	1 RJ-45 port (10/100/1000 Mbps)
SMART PHONE COMPATIBILITY	iPhone; iPad; Android
INTERNAL HDD	2 Sata Ports; up to 16TB
EXTERNAL HDD	Support Via USB
USB PORTS & RS232 PORTS	2 (2 rear USB3.0;)
POWER CONSUMPTION	17.5 W max (without HDD), 100~240 VAC, 50/60 Hz
OPERATING TEMPERATURE & DIMENSIONS	14°F to 131°F (–10°C to 55°C) (LXBXH)mm 320X244X50
WEIGHT (WITHOUT HDD)	2.85 KG

## Connection Diagram:

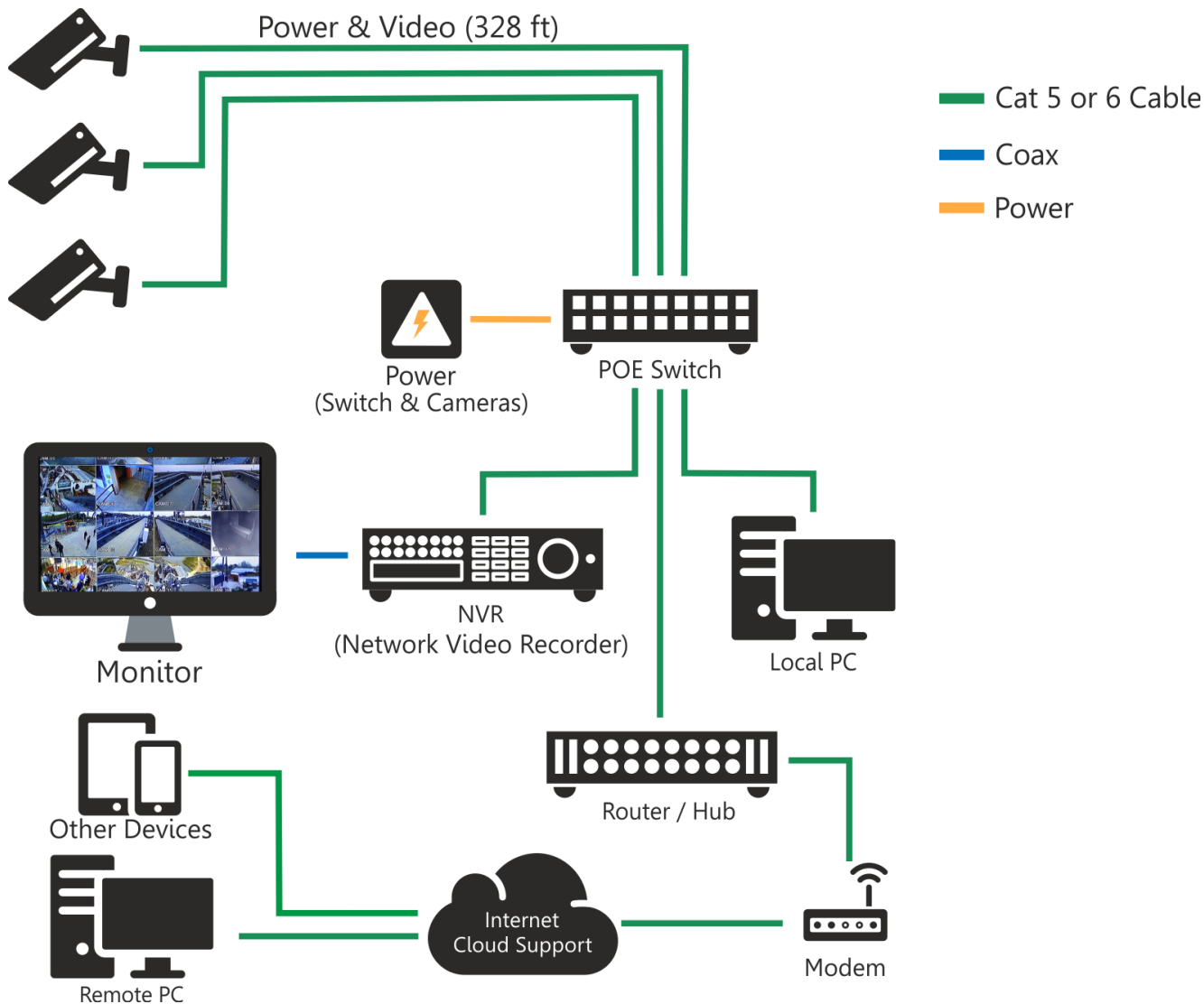


✉ info@ivpro.in 🌐 www.ivpro.in



Specifications are subject to change without notice.  
iV-Pro is a trademark of iView Technologies Co, India & Hongkong.  
Copyright 2017 iView Technologies Co. All rights reserved.

# NVR Connection Diagram:



✉ info@ivpro.in 🌐 www.ivpro.in



scan this QR Code

**Customer Care**  
care@ivpro.in



**RoHS**

Specifications are subject to change without notice.  
iV-Pro is a trademark of iView Technologies Co, India & Hongkong.  
Copyright 2017 iView Technologies Co. All rights reserved.